

# Care and Maintenance

**INKJET PRINTER**  
**TX330-1800B**

## Requests for Care and Maintenance

You can also download the latest manual from official website.

**MIMAKI ENGINEERING CO., LTD.**

<https://mimaki.com/>

D203886-10  
Original instructions

# TABLE OF CONTENTS

---

Introduction .....	3
To Ensure Safe Use .....	4
Symbols .....	4

## Maintenance

1. Maintenance Precautions .....	6
2. Maintenance Methods .....	7
Maintenance Items and Timing .....	7
Ink Maintenance .....	8
Cap Rubber Cleaning .....	8
Carriage Underside Cleaning .....	9
Wiper Cleaning .....	10
NCU Cleaning .....	12
DAS (Automatic Correction Function) Sensor Cleaning .....	13
Ink Discharge Channel Cleaning .....	14
Jam Sensor Detecting Plate Cleaning .....	16
Peeling Roller Cleaning .....	17
Belt Correction Unit Cleaning .....	17
Cover (Exterior) Cleaning .....	19
When this Printer is Left Unused for a Long Time .....	19
3. Replacement of Consumable Item .....	22
Consumable Item Replacement Timing .....	22
Wiper Replacement .....	23
Wiper Cleaner Replacement .....	24
Cap Replacement .....	26
Replacing the Absorber Around the Station .....	28
Blowing Fan Filter Replacement .....	30
Ink Supply Unit Ink Absorber Replacement .....	31
Waste Ink Tank Replacement .....	32
Washing Water Replacement .....	33
Washing Unit Maintenance .....	34
Reapplying Adhesive .....	38
Cleaning the Washing Tray and Brush .....	48
Cleaning the Feeding Belt .....	49
Cleaning the Peeling Sensors .....	50
Resetting the Counter .....	51

# Introduction

Thank you for purchasing the Inkjet printer Tx330-1800B.

Read the Request for Care and Maintenance ("this document" hereinafter) thoroughly and make sure you understand its contents to ensure safe and correct use of the product.

Please note that the illustrations contained in this manual are intended to show functions, procedures, or operations and may sometimes differ slightly from the actual machine.

Unauthorized reproduction of any portion of this document is strictly prohibited.

© 2025 MIMAKI ENGINEERING Co., Ltd.










## ● DISCLAIMERS

- MIMAKI ENGINEERING REJECTS ALL LIABILITY FOR DAMAGE ARISING DIRECTLY OR INDIRECTLY FROM THE USE OF THE Tx330-1800B ("THIS MACHINE" HEREINAFTER), WHETHER OR NOT THE PRODUCT IS FAULTY.
- MIMAKI ENGINEERING REJECTS ALL LIABILITY FOR DAMAGE, DIRECT OR INDIRECT, TO MATERIALS CREATED WHILE USING THIS MACHINE.
- USING THIS MACHINE IN CONJUNCTION WITH DEVICES OTHER THAN THOSE RECOMMENDED BY MIMAKI ENGINEERING MAY RESULT IN FIRE OR ACCIDENTS. SUCH INCIDENTS ARE NOT COVERED BY THE PRODUCT WARRANTY. MIMAKI ENGINEERING REJECTS ALL LIABILITY FOR DAMAGE, DIRECT OR INDIRECT, ARISING FROM SUCH INCIDENTS.
- USE ONLY GENUINE MIMAKI ENGINEERING INK AND MAINTENANCE LIQUID. USE OF OTHER PRODUCTS MAY RESULT IN FAILURES OR REDUCE PRINT QUALITY. SUCH INCIDENTS ARE NOT COVERED BY THE PRODUCT WARRANTY. MIMAKI ENGINEERING REJECTS ALL LIABILITY FOR DAMAGE, DIRECT OR INDIRECT, ARISING FROM SUCH INCIDENTS.
- DO NOT ATTEMPT TO REFILL THE INK PACKS WITH UNAUTHORIZED INK. SUCH INCIDENTS ARE NOT COVERED BY THE PRODUCT WARRANTY. MIMAKI ENGINEERING REJECTS ALL LIABILITY FOR DAMAGE, DIRECT OR INDIRECT, ARISING FROM SUCH INCIDENTS.

# To Ensure Safe Use

## Symbols

In this manual, symbols indicate and explain precautions. Make sure you fully understand the meaning of each symbol and use the machine safely and correctly.

Explanation		
 <b>WARNING</b>	Warning	Indicates a potential hazard that may result in death or serious injury if handled improperly or if instructions are disregarded.
 <b>CAUTION</b>	Caution	Indicates a potential hazard that may result in minor or moderate injury if handled improperly or if instructions are disregarded.
 <b>NOTICE</b>	Notice	Indicates a potential hazard that may result in property damage if handled improperly or if instructions are disregarded.
	Warning sign	Indicates something that requires attention. Warning specifics are drawn inside the symbol.
	Mandatory action sign	Indicates an action that must be carried out. The specifics of the mandatory action are drawn inside the symbol.
	Prohibition sign	Indicates a prohibited action. The specifics of the prohibited action are drawn inside the symbol.
 <b>Important!</b>	Important	Indicates important information related to use of this machine.
	Tip	Indicates useful reference information.
	Reference information	Indicates the corresponding page for related information.

# Maintenance

To ensure years of precise performance, maintain the machine periodically based on frequency of use. Read the maintenance precautions thoroughly before maintaining this product.

# 1. Maintenance Precautions



- This machine includes parts that must be replaced periodically. We therefore recommend taking out a maintenance contract. Carry out maintenance periodically and replace consumable items to prevent quality defects and accidents.

## ⚠ WARNING



- Clean periodically. Debris and dust will accumulate on electrical components when the machine is used for extended periods. There is a risk of failure, electric shock, or fire due to current leakage.
- Do not clean by blowing—e.g., avoid using air blowers. Doing so may lead to failure, electric shock, or fire involving the machine if airborne debris or dust gets inside electrical components. Wipe using a soft cloth soaked in diluted neutral detergent and thoroughly wrung out. A vacuum cleaner may also be used for cleaning.



- Be careful to prevent liquids from getting inside the machine. Otherwise there is a risk of failure, electric shock, or fire.

## ⚠ CAUTION



- For heavy soiling, wipe using a soft cloth soaked in diluted neutral detergent and thoroughly wrung out.



- Pay close attention to ventilation and be sure to wear safety glasses, gloves, and a mask when handling ink, maintenance liquid, waste ink, or other solutions used with the machine. Leaking ink may adhere to the skin or get into the eyes or mouth.




## NOTICE



- Never touch the print head nozzle surface. Do not allow water or alcohol to come into contact with the print nozzle surface. This will increase the risk of machine failure or ejection failures (e.g., nozzle clogging or deflection).
- Do not use cotton swabs to clean around the head or carriage. Fibers from cotton swabs may adhere to the head nozzle surface and lead to ejection failures (e.g., nozzle clogging or deflection).
- Do not splash ink or maintenance liquid on the covers. Exposure to splashing ink or maintenance liquid may damage or deform the cover.
- Do not use benzine, thinner, or any chemical agent containing abrasives. Use of these chemicals may result in damage to or deformation of parts.
- Do not use organic solvents such as acetone and IPA. Doing so may damage the machine.
- Do not move the carriage by hand. To move the carriage, use the carriage out function on the menu.

## 2. Maintenance Methods

### Maintenance Items and Timing

Timing	Item
Every day after work	Clean around the wiper.  <a href="#">"Wiper Cleaning"(P. 10)</a>
Every three days, at the start of the work	Shake the ink.  <a href="#">"Ink Maintenance"(P. 8)</a>
Every three days after work	Dispose of ink in the waste ink tank in the lower left of the machine.
At the end of the week's work	Clean the cap rubber.  <a href="#">"Cap Rubber Cleaning"(P. 8)</a>
	Clean the underside of the carriage.  <a href="#">"Carriage Underside Cleaning"(P. 9)</a>
	Check the waste ink levels in the waste ink tank.  <a href="#">"When "Check Waste Ink Tank" message appears"(P. 32)</a>
	Clean the peeling roller.  <a href="#">"Peeling Roller Cleaning"(P. 17)</a>
	Clean the belt correction unit.  <a href="#">"Belt Correction Unit Cleaning"(P. 17)</a>
	Clean the ink discharge channel.  <a href="#">"Ink Discharge Channel Cleaning"(P. 14)</a>
At the end of two weeks' work	Clean the blowing fan filter.
Every month	Clean the NCU.  <a href="#">"NCU Cleaning"(P. 12)</a>
	Clean the DAS sensor.  <a href="#">"DAS (Automatic Correction Function) Sensor Cleaning"(P. 13)</a>
	Clean the media sensor.
	Clean the jam sensor detecting plate.  <a href="#">"Jam Sensor Detecting Plate Cleaning"(P. 16)</a>
	Clean the pinch rollers and grit rollers. Pinch Roller and Grit Roller Cleaning
	Clean the cover (exterior).  <a href="#">"Cover (Exterior) Cleaning"(P. 19)</a>
When not used for more than a week	Clean the cap and wash the ink discharge channels. After cleaning, store without turning off the main power supply.  <a href="#">"When this Printer is Left Unused for a Long Time"(P. 19)</a>

### Items Required for Maintenance

To order replacement consumable items, contact your local dealer or our service office. For more information on consumable items, refer to our website (<https://mimaki.com/supply/inkjet.html>).



- Do not store consumable items in locations where children may enter.

### Ink Maintenance

If ink constituents are sedimented, the ink density may become uneven. We recommend shaking the ink periodically to keep printing consistent.

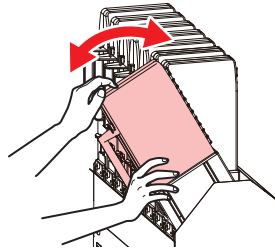
Once every three days.



- **Shake taking care that the ink eco-cases do not become detached** from the ink supply unit. Ink may leak out if the ink eco-cases become detached.

#### 1 Shake the ink eco-cases slowly approximately 10 times.

- Shake the ink eco-cases back and forth while holding the top.



- Be sure to shake the ink eco-case back and forth by holding its top. Ink may leak out if the top is not held and the ink eco-cases become detached.

### Cap Rubber Cleaning

The cap prevents the print head nozzle surface from drying out. Continuing to use a dirty cap may affect ink take-up and lead to ejection failures (such as nozzle clogging or deflection).



- Be careful to avoid leaving fragments from the cleaning stick behind when cleaning. These fragments will increase the risk of ejection failures (e.g., nozzle clogging or deflection).

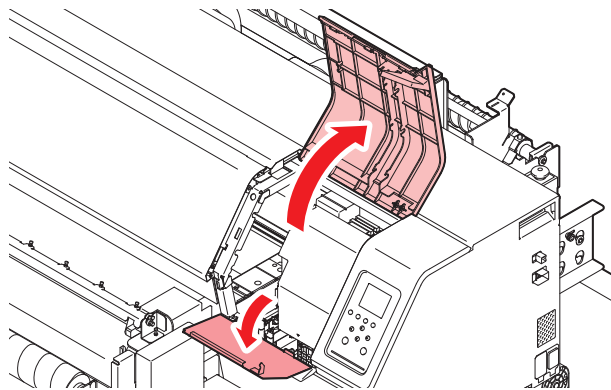
#### 1 On the LOCAL mode screen, select [MENU] > [Maintenance], then press the [ENTER] key.

- The Maintenance menu is displayed.

#### 2 Select [Station Maint.] > [Carriage Out] > [Move To Platen Right End], then press the [ENTER] key.

- The carriage moves over the platen.

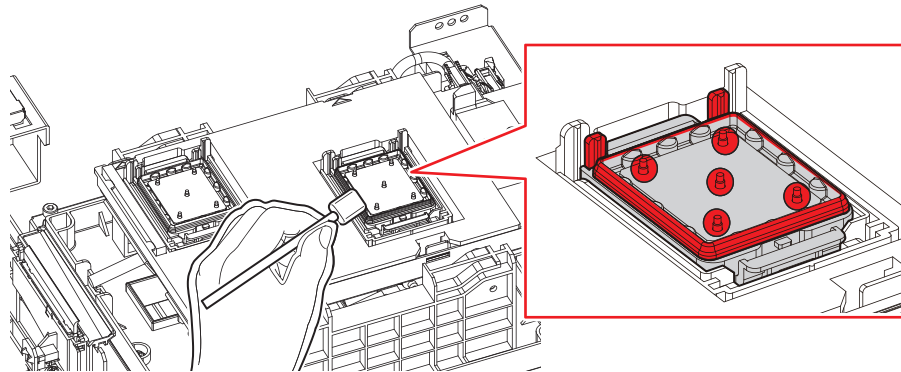
#### 3 Open the maintenance cover on the right side.





#### 4 Clean the cap rubber.

- Wipe off any ink and dust adhering using a cleaning stick moistened with maintenance liquid. Wipe off the maintenance liquid. Make sure none remains.
- Clean the areas indicated in red in the diagram (the entire interior and exterior of the cap rubber, the tabs, and the mesh retainers).



#### 5 Close the maintenance cover, then press the [ENTER] key.

### Carriage Underside Cleaning

The underside of the carriage becomes coated with ink wiped off by the wiper. Continuing to use the dirty carriage underside will rub dried ink and attached dust on to the media, resulting in contaminated prints.

The print head uses an extremely delicate mechanism. Take great care when handling it.



- Be careful to avoid leaving fragments from the cleaning stick behind when cleaning. These fragments will increase the risk of ejection failures (e.g., nozzle clogging or deflection).

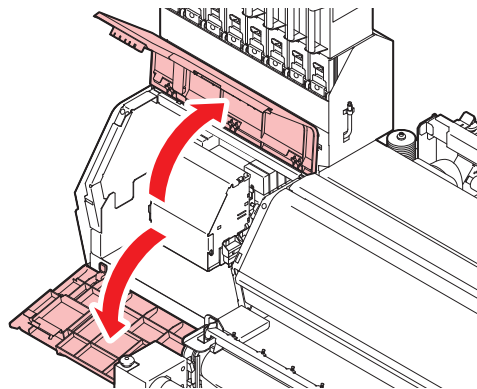
#### 1 On the LOCAL mode screen, select [MENU] > [Maintenance], then press the [ENTER] key.

- The Maintenance menu is displayed.

#### 2 Select [Station Maint.] > [Carriage Out] > [Move To Maint. Space], then press the [ENTER] key.

- The carriage moves to the maintenance space.

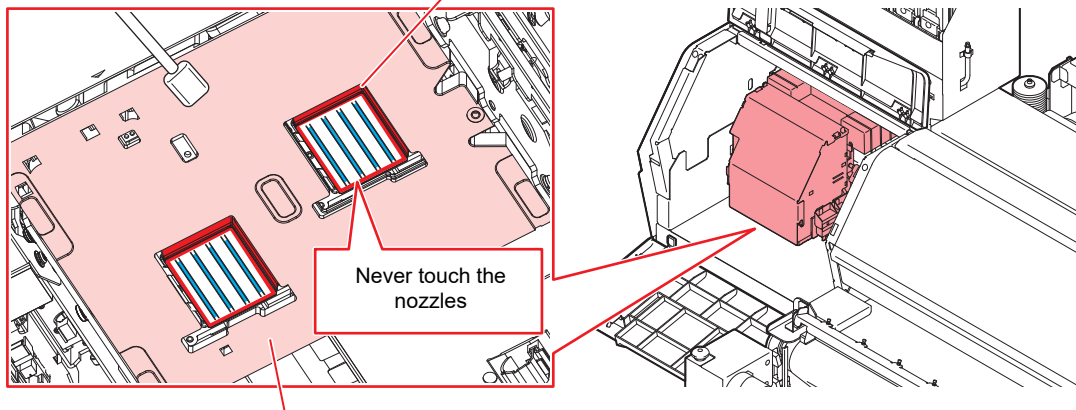
#### 3 Open the maintenance cover on the left side.



#### 4 Clean around the print head.

- Wipe off any ink and dust adhering using a cleaning stick moistened with maintenance liquid. Wipe off the maintenance liquid. Make sure none remains.

Clean the print head sides and all around the nozzle plate using a cleaning stick.



Clean using a cleaning stick or soft cloth.



- Never touch the print head nozzles (areas indicated in blue in the diagram).

#### 5 Once cleaning is complete, close the cover, then press the [ENTER] key.

### Wiper Cleaning

The wiper wipes off ink adhering to the print head nozzle surface. Continuing to use with a dirty wiper will cause dried ink and attached dust to rub against the head nozzle surface, and lead to ejection failures (e.g., nozzle clogging or deflection).



- Be careful to avoid leaving fragments from the cleaning stick behind when cleaning. These fragments will increase the risk of ejection failures (e.g., nozzle clogging or deflection).

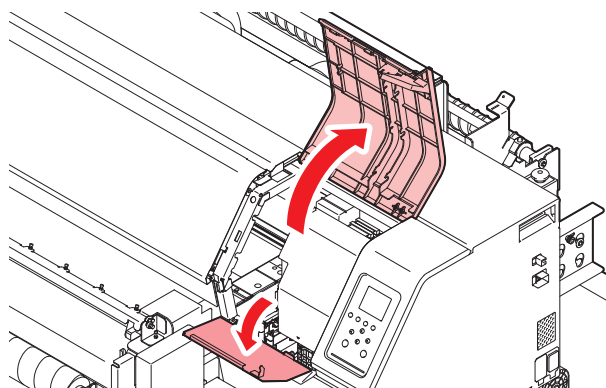
#### 1 On the LOCAL mode screen, select [MENU] > [Maintenance], then press the [ENTER] key.

- The Maintenance menu is displayed.

#### 2 Select [Station Maint.] > [Carriage Out] > [Move To Platen Right End], then press the [ENTER] key.

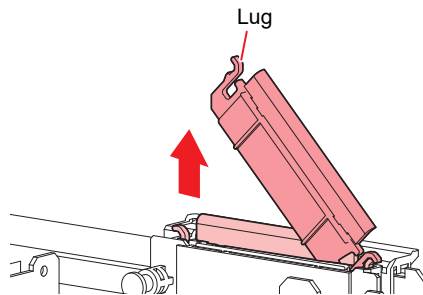
- The carriage moves over the platen.

#### 3 Open the maintenance cover on the right side.



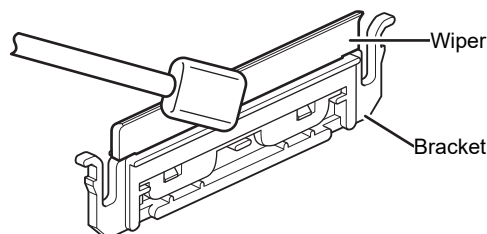
## 4 Remove the wiper.

- Hold the lug at the rear of the wiper bracket, then pull out the wiper.



## 5 Clean the wiper and bracket.

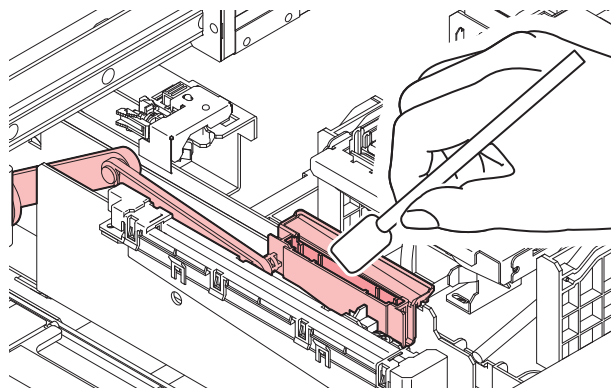
- Wipe off any ink and dust adhering using a cleaning stick moistened with maintenance liquid. Wipe off the maintenance liquid. Make sure none remains.



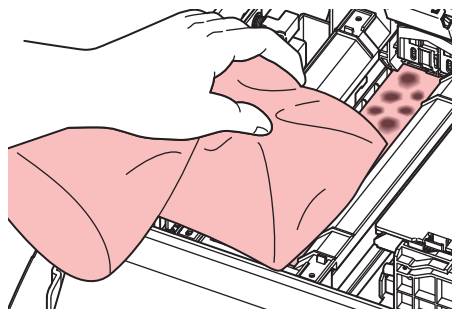
- Replace dirty or warped wipers with new ones. Wiper Replacement

## 6 Clean the wiper slider.

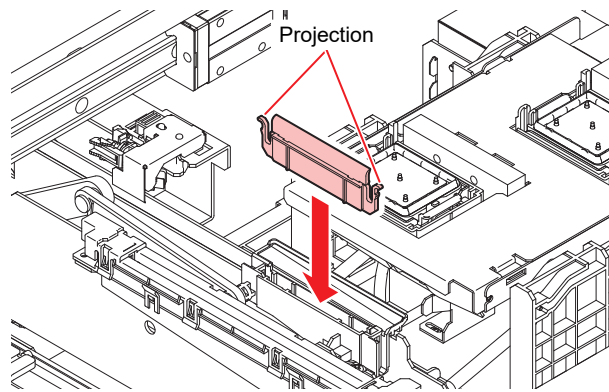
- Wipe off any ink and dust adhering using a cleaning stick moistened with maintenance liquid. Wipe off the maintenance liquid. Make sure none remains.



- If there is a lot of ink in the pad case, use absorbent paper or the like to absorb it.



### 7 Reattach the wiper at the original position.



### 8 Once cleaning is complete, close the cover, then press the [ENTER] key.

## NCU Cleaning

The NCU uses a sensor to monitor the ink droplets ejected from the print head nozzles. Continuing to use the dirty NCU may prevent the nozzle check function from operating correctly.



- Be careful to avoid leaving fragments from the cleaning stick behind when cleaning. These fragments will increase the risk of ejection failures (e.g., nozzle clogging or deflection).

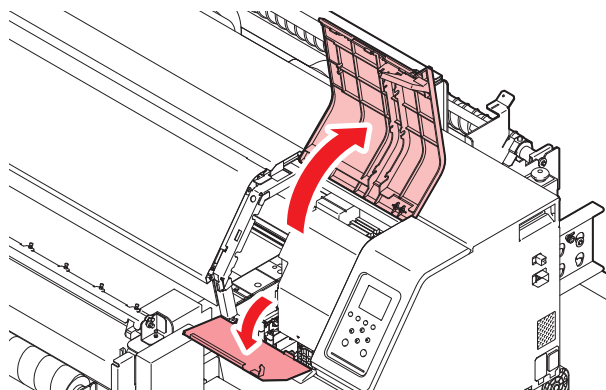
### 1 On the LOCAL mode screen, select [MENU] > [Maintenance], then press the [ENTER] key.

- The Maintenance menu is displayed.

### 2 Select [Station Maint.] > [Carriage Out] > [Move To Platen Right End], then press the [ENTER] key.

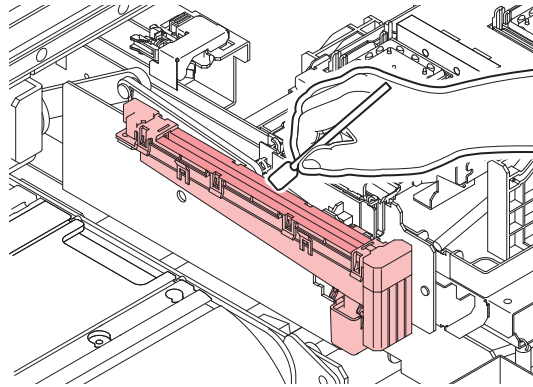
- The carriage moves over the platen.

### 3 Open the maintenance cover on the right side.

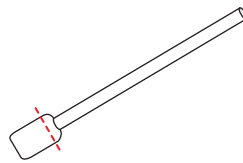


#### 4 Clean the NCU.

- Wipe off any ink and dust adhering using a cleaning stick moistened with maintenance liquid. Wipe off the maintenance liquid. Make sure none remains.



- Insert the cleaning stick as far as the line shown in the illustration.

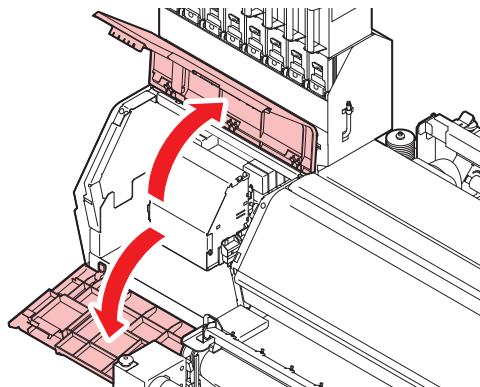


#### 5 Once cleaning is complete, close the cover, then press the [ENTER] key.

### DAS (Automatic Correction Function) Sensor Cleaning

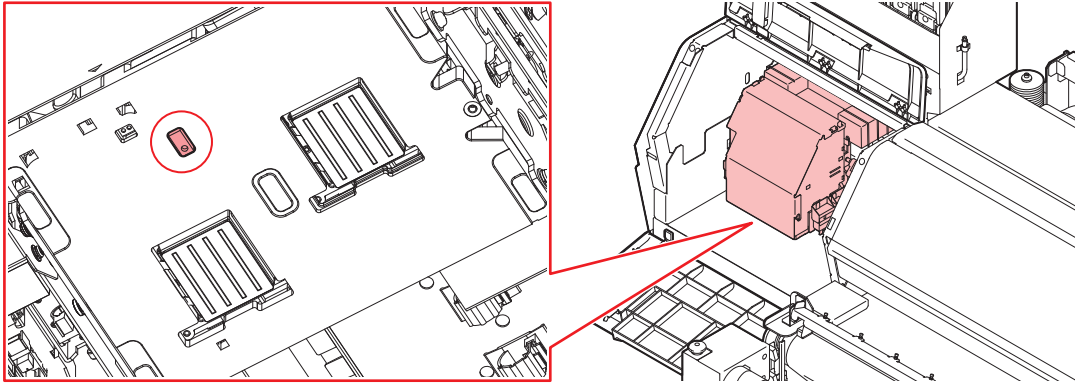
The DAS sensor is located on the carriage underside. If dust or debris accumulates on the sensor, DAS (Media Setting Menu) may not function.

- 1 On the LOCAL mode screen, select [MENU] > [Maintenance], then press the [ENTER] key.
  - The Maintenance menu is displayed.
- 2 Select [Station Maint.] > [Carriage Out] > [Move To Maint. Space], then press the [ENTER] key.
  - The carriage moves to the maintenance space.
- 3 Open the maintenance cover on the left side.



### 4 Clean the DAS sensor.

- Wipe clean using cotton swabs or a soft cloth.



- For heavy soiling, wipe using a soft cloth soaked in diluted neutral detergent and thoroughly wrung out.

### 5 Once cleaning is complete, close the cover, then press the [ENTER] key.

## Ink Discharge Channel Cleaning

Clean the ink discharge channel regularly to prevent clogging of the ink discharge channel below the cap.

### 1 On the LOCAL mode screen, select [MENU] > [Maintenance], then press the [ENTER] key.

- The Maintenance menu is displayed.

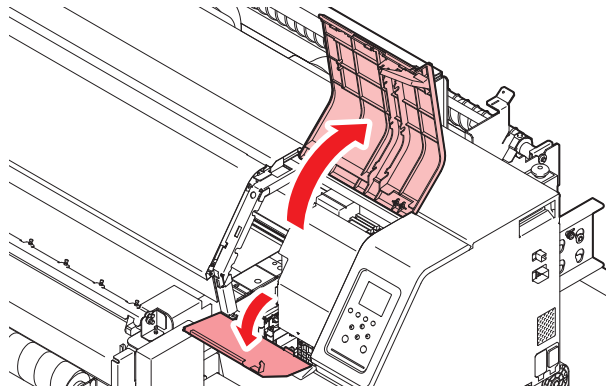
### 2 Select [Station Maint.] > [Pump tube cleaning], then press the [ENTER] key.

- The cap is filled with maintenance liquid.



- Close the cover. The cap cannot be filled with maintenance liquid while the cover is open. This is also true if the maintenance liquid cartridge is empty.

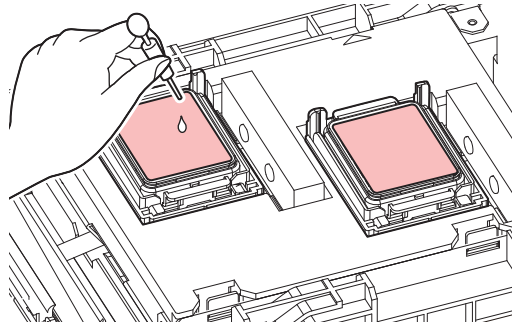
### 3 Open the maintenance cover on the right side.



- Check to confirm that approximately half a capful of maintenance liquid remains.



- If not, use a syringe to draw up some maintenance liquid and drip in approximately half a capful.



- 
- Check to confirm that there is approximately half a capful of maintenance liquid inside.



- If not, use a syringe to draw up some maintenance liquid and drip in approximately half a capful.

---

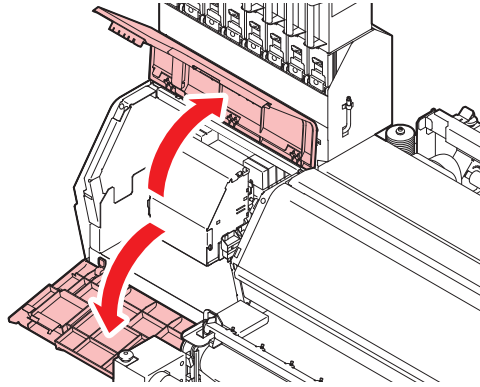
#### **4** Close the maintenance cover, then press the [ENTER] key.

- Pump tube (ink discharge channel below the cap) washing starts.

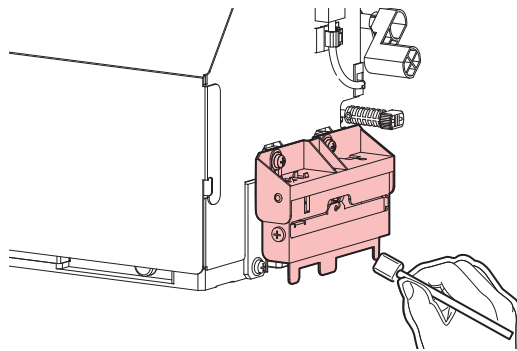
## Jam Sensor Detecting Plate Cleaning

Continuing to use the dirty carriage underside will rub dried ink and attached dust on to the media, resulting in contaminated prints.

- 1** On the **LOCAL** mode screen, select **[MENU] > [Maintenance]**, then press the **[ENTER]** key.
  - The Maintenance menu is displayed.
- 2** Select **[Station Maint.] > [Carriage Out] > [Move To Maint. Space]**, then press the **[ENTER]** key.
  - The carriage moves to the maintenance space.
- 3** Open the maintenance cover on the left side.



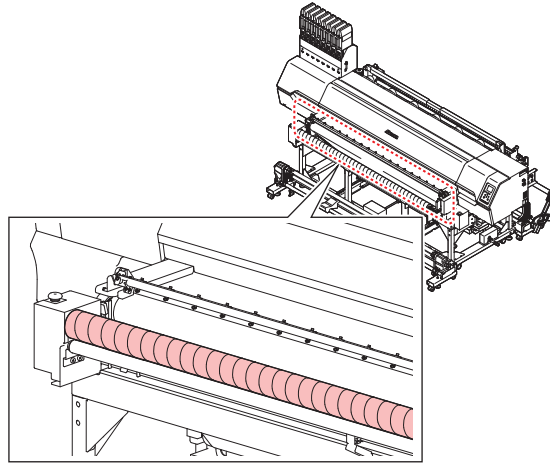
- 4** Clean the jam sensor detecting plate.
  - Clean the jam sensor detecting plate underside at the left and right sides of the carriage.
  - Wipe off any ink and dust adhering using a cleaning stick moistened with maintenance liquid. Wipe off the maintenance liquid. Make sure none remains.



- 5** Once cleaning is complete, close the cover, then press the **[ENTER]** key.



## Peeling Roller Cleaning



- For heavy soiling, wipe using a soft cloth soaked in diluted neutral detergent and thoroughly wrung out.

## Belt Correction Unit Cleaning

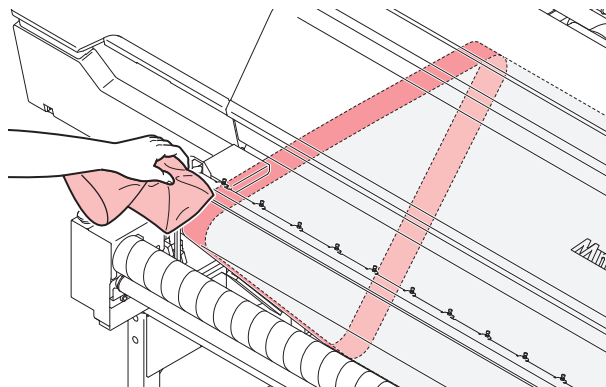
Adhesive applied to the feeding belt may adhere to the rubber gripper on the belt correction unit. Any adhesive on the rubber gripper may cause the belt correction unit to slip and affect printing quality. Regularly clean (about once a week) the rubber gripper of the belt correction unit and the 20 mm portion at the edge of the feeding belt (all around the left side, as viewed from the front).



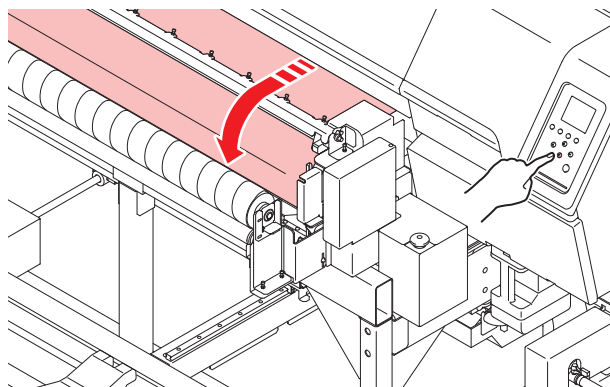
- Turn off the main power supply and unplug the power cable before carrying out maintenance.

### 1 Clean the edge of the feeding belt.

- Wipe the 20 mm portion of the feeding belt's left edge with a cloth soaked in alcohol.



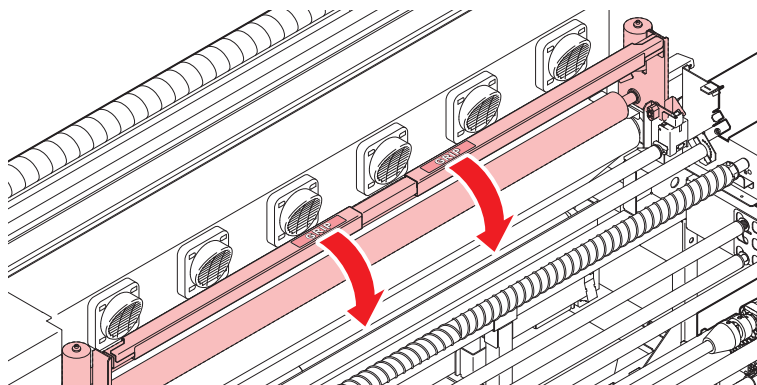
**2** Feed the belt by specifying the count in [Maintenance] > [Belt Maintenance] > [Belt Cleaning].



**3** Repeat steps 1 and 2 to clean the entire length of the belt.

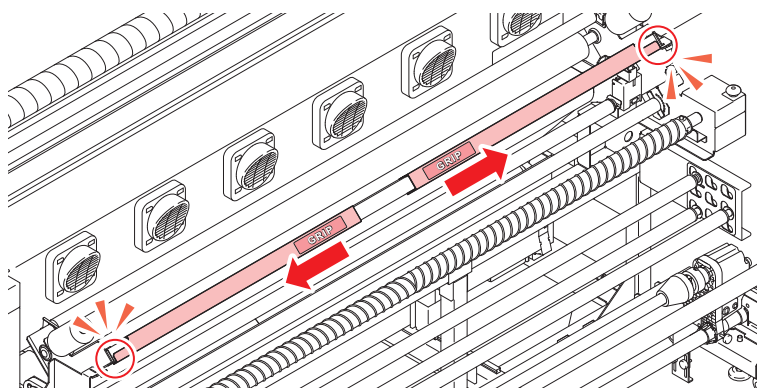
**4** Raise the pressure roller.

- Holding the sections labeled GRIP with both hands, pull toward you.

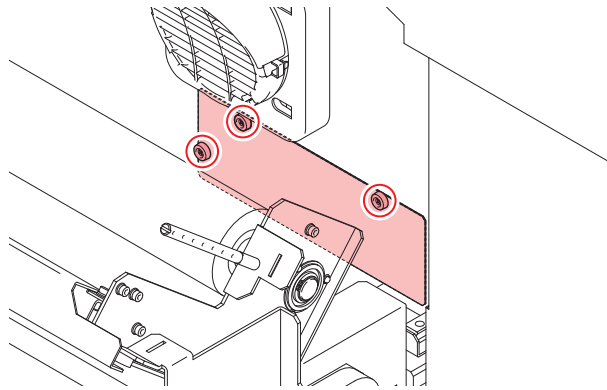


**5** Lock the pressure roller.

- Holding the sections labeled GRIP with both hands, slide the two sections outward.
- Make sure the left and right sides are securely locked.

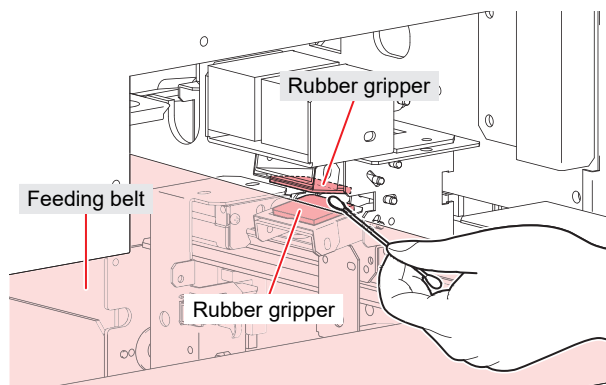


## 6 Remove the maintenance cover.



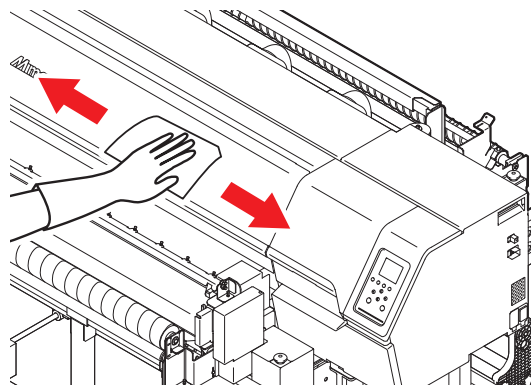
## 7 Clean the rubber gripper.

- Using a cloth soaked in alcohol, wipe the rubber gripper above and below the feeding belt.



## 8 Attach the maintenance cover.

### Cover (Exterior) Cleaning



- Be careful to prevent liquids from getting inside the machine. Otherwise there is a risk of failure, electric shock, or fire.



- For heavy soiling, wipe using a soft cloth soaked in diluted neutral detergent and thoroughly wrung out.

### When this Printer is Left Unused for a Long Time

Clean as follows if the product is not used for one week or longer:

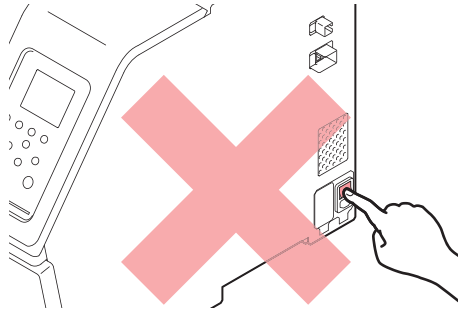
### Check beforehand

Is [Near End] or [Ink End] displayed?

- Maintenance liquid and ink is aspirated during the washing operation. Washing is not possible if an error occurs during this process. Replace with new ink.



- Do not turn off the main power supply. Turning off the main power supply will disable the automatic maintenance function (including nozzle clogging prevention function and ink discharge channel cleaning function). This increases the risk of ejection failures (such as nozzle clogging or deflection).



- Do not leave the media on the belt. This may leave irregularities or ripples in the media.



- If Check Waste Ink is displayed, dispose of ink in the waste ink tank on the right of the machine. [☞ "Waste Ink Tank Replacement"\(P. 32\)](#)

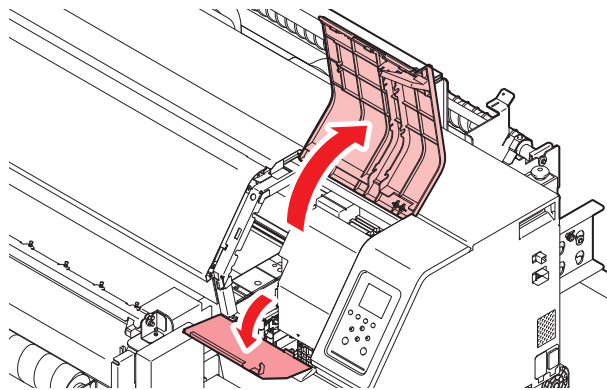
**1** On the LOCAL mode screen, select [MENU] > [Maintenance], then press the [ENTER] key.

- The Maintenance menu is displayed.

**2** Select [Station Maint.] > [Custody Wash], then press the [ENTER] key.

- The carriage moves over the platen.

**3** Open the maintenance cover on the right side.



**4** Clean the cap rubber.

- [☞ "Cap Rubber Cleaning"\(P. 8\)](#)

**5** Once cleaning is complete, close the cover, then press the [ENTER] key.

- The cap is filled with maintenance liquid.



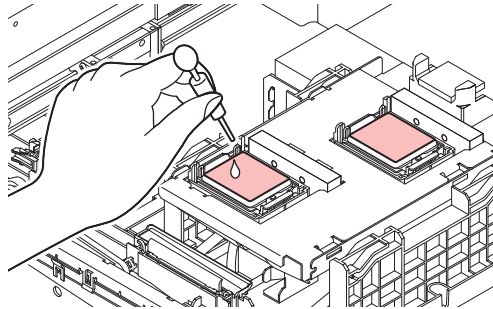
- Close the cover. The cap cannot be filled with maintenance liquid while the cover is open. This is also true if the maintenance liquid cartridge is empty.

**6 Open the maintenance cover on the right side.**

- Check to confirm that the cap is filled with maintenance liquid.



- If not, use a syringe to draw up some maintenance liquid and fill until it almost overflows from the cap.

**7 Close the maintenance covers.****8 Set the exposure time, then press the [ENTER] key.**

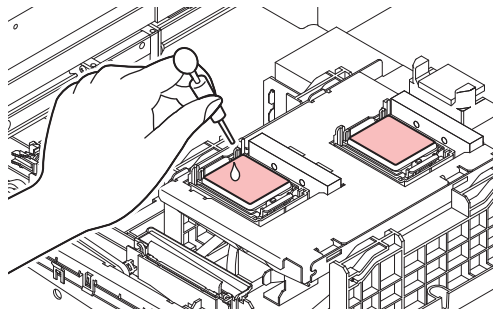
- Cleaning is performed automatically once print nozzle washing has ended.
- The cap is filled with maintenance liquid.

**9 Open the maintenance cover on the right side.**

- Check to confirm that there is approximately half a capful of maintenance liquid inside.



- If not, use a syringe to draw up some maintenance liquid and drip in approximately half a capful.

**10 Close the maintenance cover, then press the [ENTER] key.**

- Pump tube (ink discharge channel below the cap) washing starts.

# 3. Replacement of Consumable Item

To order replacement consumable items, contact your local dealer or our service office. For more information on consumable items, refer to our website (<https://mimaki.com/supply/inkjet.html>).



- Do not store consumable items in locations where children may enter.



- When disposing of consumable items, contact an industrial waste disposal operator or dispose of the product in accordance with the local laws and regulations.

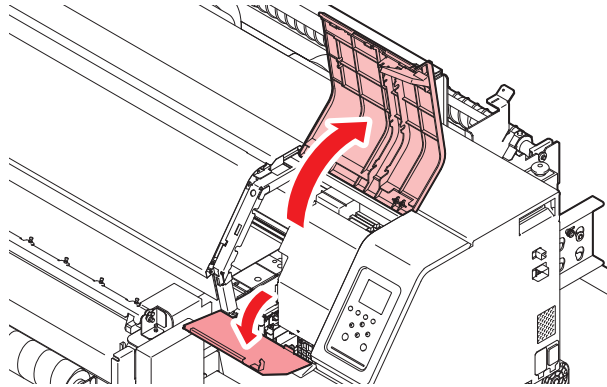
## Consumable Item Replacement Timing

Timing	Item
When dirty	<ul style="list-style-type: none"> <li>☞ "Replacing the Absorber Around the Station"(P. 28)</li> <li>☞ "Wiper Replacement"(P. 23)</li> <li>☞ "Blowing Fan Filter Replacement"(P. 30)</li> </ul>
When ejection failures cannot be remedied	<ul style="list-style-type: none"> <li>☞ "Cap Replacement"(P. 26)</li> <li>☞ "Wiper Replacement"(P. 23)</li> </ul>
When damaged	<ul style="list-style-type: none"> <li>☞ "Wiper Replacement"(P. 23)</li> <li>☞ "Cap Replacement"(P. 26)</li> </ul>
When replacing ink	☞ "Ink Supply Unit Ink Absorber Replacement"(P. 31)
When "Replace Wiper" appears on the display	☞ "Wiper Replacement"(P. 23)
When "Check Waste Ink Tank" appears on the display	☞ "Waste Ink Tank Replacement"(P. 32)
Once a year	☞ "Wiper Cleaner Replacement"(P. 24)
Every day	☞ "Washing Water Replacement"(P. 33)

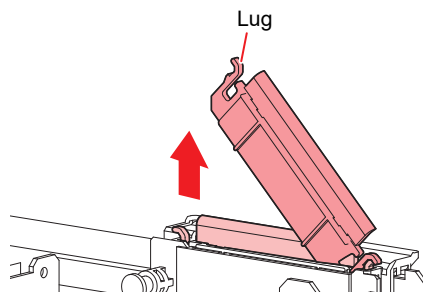
## Wiper Replacement

The machine maintains a count of the number of wiping cycles. The "Replace Wiper" message appears when a preset count is reached. Replace dirty or warped wipers with new ones.

- 1 "Replace Wiper" appears on the display.
- 2 On the LOCAL mode screen, select [MENU] > [Maintenance], then press the [ENTER] key.
  - The Maintenance menu is displayed.
- 3 Select [Station Maint.] > [Replace Wiper], then press the [ENTER] key.
  - The carriage moves over the platen.
- 4 Open the maintenance cover on the right side.

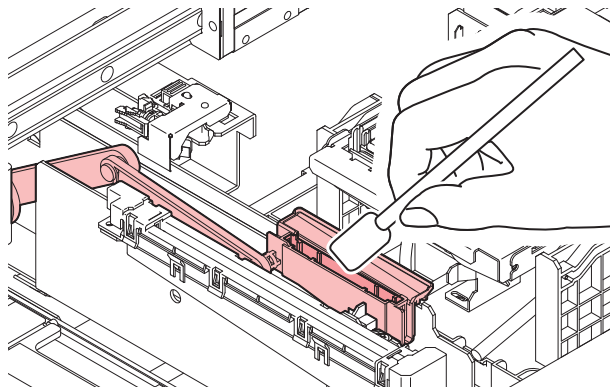


- 5 Remove the wiper.
  - Hold the lug at the rear of the wiper bracket, then pull out the wiper.

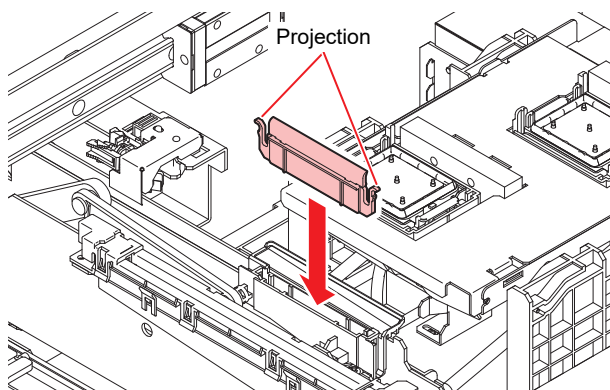


#### 6 Clean the wiper slider.

- Wipe off any ink and dust adhering using a cleaning stick moistened with maintenance liquid. Wipe off the maintenance liquid. Make sure none remains.



#### 7 Mount a new wiper.



#### 8 Once replacement is complete, close the cover, then press the [ENTER] key.

- The wiper usage count is reset.

## Wiper Cleaner Replacement

Replace with a new wiper cleaner (SPC-0243) once a year.

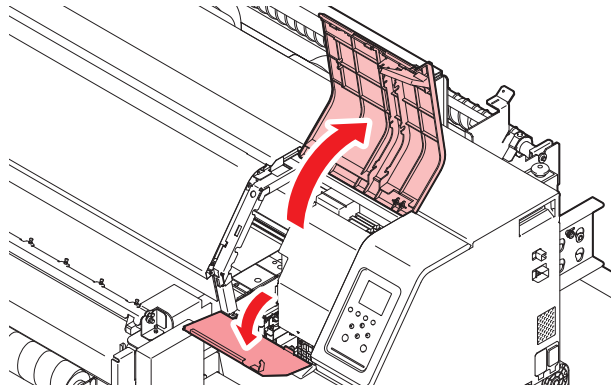
#### 1 On the LOCAL mode screen, select [MENU] > [Maintenance], then press the [ENTER] key.

- The Maintenance menu is displayed.

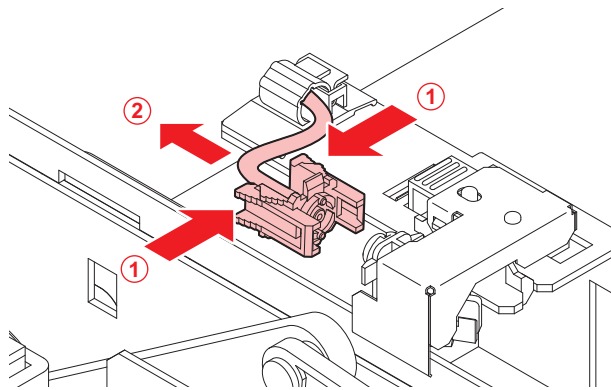
#### 2 Select [Station Maint.] > [Carriage Out] > [Move To Platen Right End], then press the [ENTER] key.

- The carriage moves over the platen.

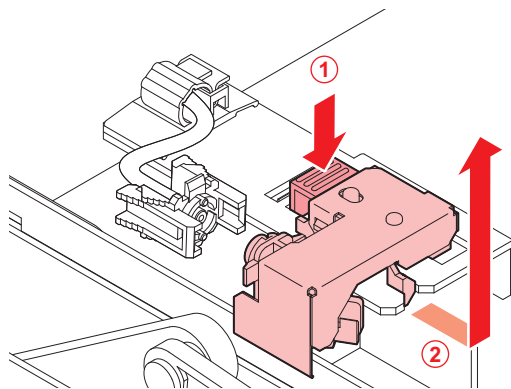


**3** Open the maintenance cover on the right side.**4** Remove the fitting.

- Hold the lugs on the fitting, then pull off.
- Take care to avoid losing the rubber seal.

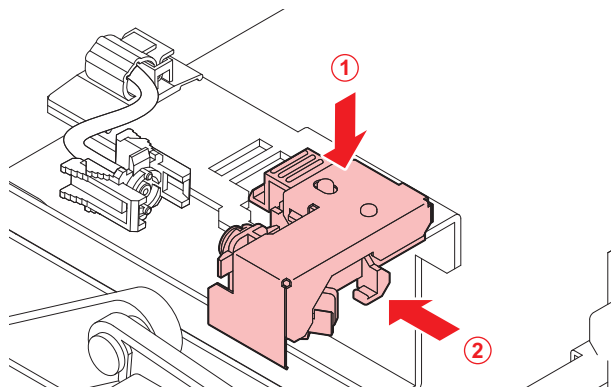
**5** Remove the wiper cleaner.

- Slide forward to remove.



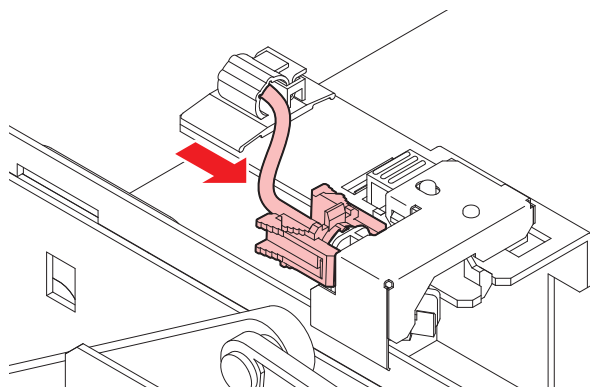
#### 6 Mount a new wiper cleaner.

- Slide to the rear to attach it.



#### 7 Reattach the fitting.

- Improper attachment may result in leaking maintenance solution.



#### 8 Once replacement is complete, close the cover, then press the [ENTER] key.

## Cap Replacement

If ejection failures (e.g., nozzle clogging or deflection) remain unresolved even after cleaning, replace with a new cap.



- Be sure to replace the cap if you observe any scratches or other damage on the rim.



- When using Sb or TP ink for extended periods, the cap surface is susceptible to drying out, which can lead to path clogging. If this occurs, either replace the cap or remove and wash it.



- We recommend replacing the cap every six to twelve months.  
(TP ink: every six months, other ink: every twelve months)

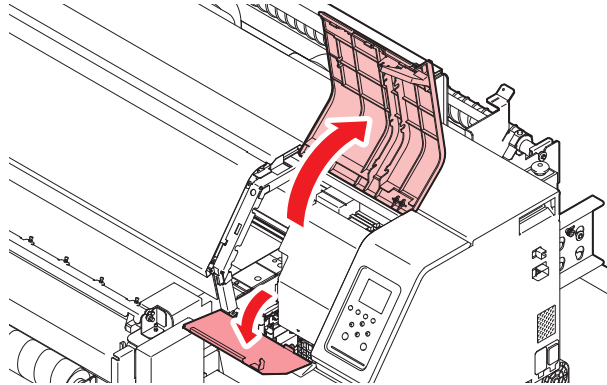
#### 1 On the LOCAL mode screen, select [MENU] > [Maintenance], then press the [ENTER] key.

- The Maintenance menu is displayed.

**2** Select [Station Maint.] > [Replace Cap], then press the [ENTER] key.

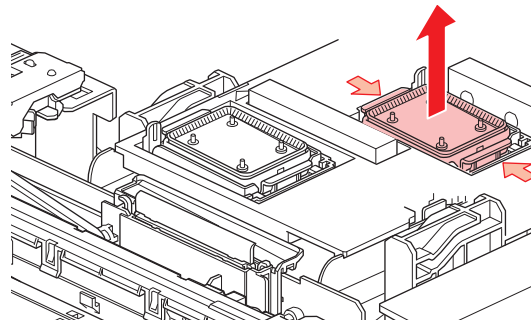
- The carriage moves over the platen.

**3** Open the maintenance cover on the right side.

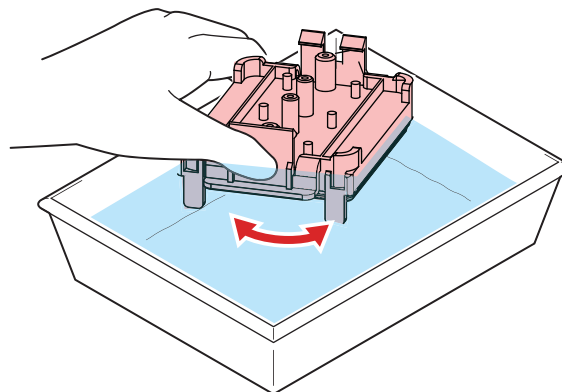


**4** Remove the cap.

- Squeeze the lugs on either side of the cap and pull off.



**5** [When using Sb ink and TP ink] Rinse the cap with the mesh side facing downward in a container filled with maintenance liquid. Remove, then wipe clean the resin part thoroughly.

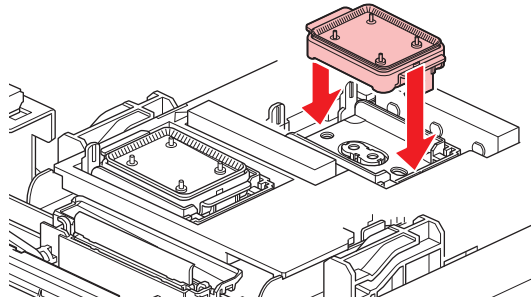


**6** Apply maintenance liquid.

- Use a syringe to apply two or three drops of maintenance liquid to the hole at the front.

#### 7 Mount a new cap or a cap that has been washed.

- Position with the slot at the front and push in until it clicks.



#### 8 Once replacement is complete, close the cover, then press the [ENTER] key.

## Replacing the Absorber Around the Station

If the cap absorber or maintenance liquid absorber is very dirty or if ink drips on to the media, replace with a new cap absorber.

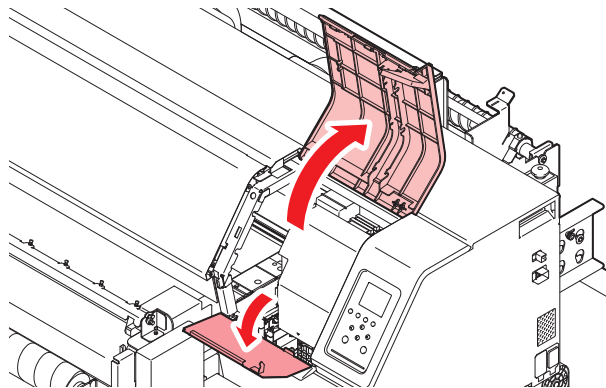
#### 1 On the LOCAL mode screen, select [MENU] > [Maintenance], then press the [ENTER] key.

- The Maintenance menu is displayed.

#### 2 Select [Station Maint.] > [Carriage Out] > [Move To Platen Right End], then press the [ENTER] key.

- The carriage moves over the platen.

#### 3 Open the maintenance cover on the right side.



#### 4 Remove the cap absorber.



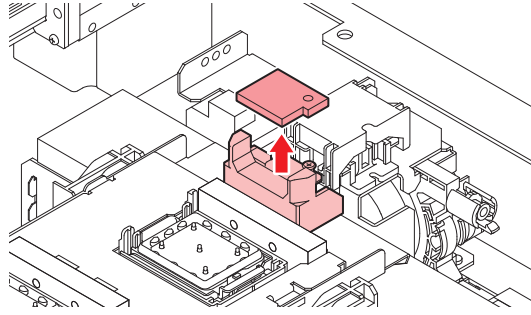
- Avoid ink dripping when removing the cap absorbers.

#### 5 Mount a new cap absorber.

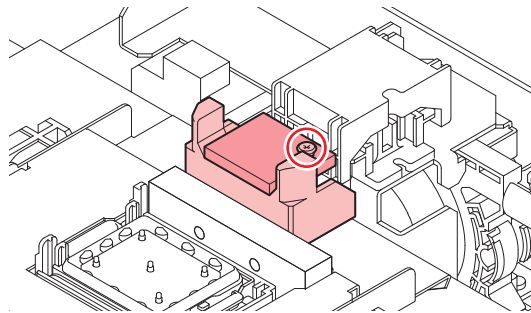
- Insert the tabs on the plate into the slits in the cap absorber.



- Check to confirm that the cap absorber does not become detached.

**6** Remove the maintenance liquid absorber.**7** Wipe away any maintenance liquid from around the slider block.**8** Mount a new maintenance liquid absorber.

- Push firmly on to the protrusion.

**9** Check to confirm that the absorber is not lifting or curved.**10** Once replacement is complete, close the cover, then press the [ENTER] key.

## Blowing Fan Filter Replacement

Replace the blowing fan filter if it is dirty.

- (Important!)** If sublimation transfer ink is used
- Replace the filter every three months.

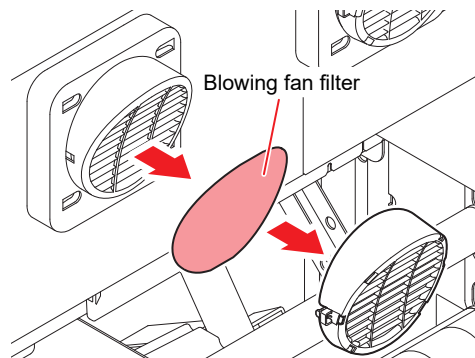


- Turn off the main power and unplug the power cable before replacement.

### 1 Remove the fan filter cover.

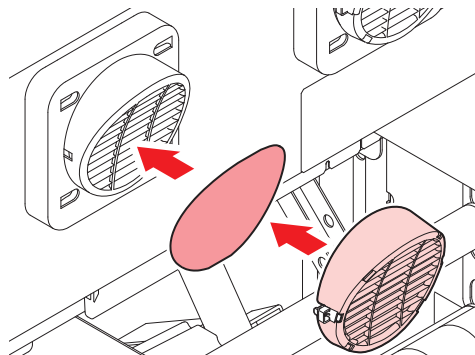
- Push the fan filter cover claw outward, and pull the cover to the front.

### 2 Remove the filter.



### 3 Mount a new filter and the fan filter cover.

- Push in the fan filter cover until the tab clicks.



## Ink Supply Unit Ink Absorber Replacement

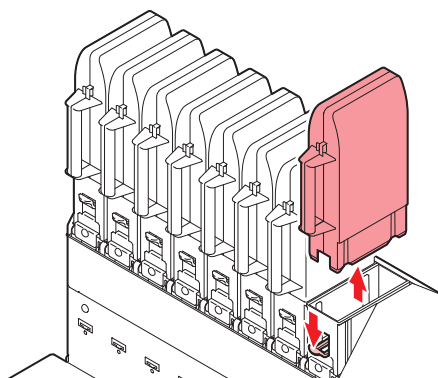
We recommend replacing the ink absorber each time you replace the ink pack, to prevent dirt building up on the pedestal of the ink supply unit.



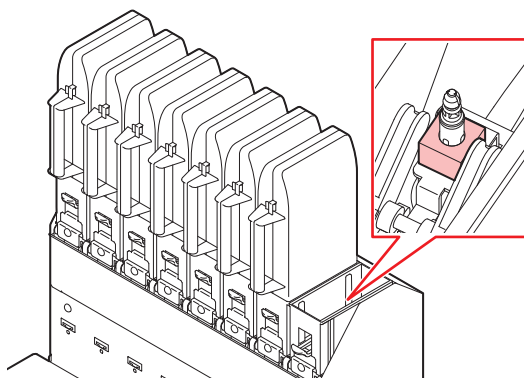
- Pay close attention to ventilation and be sure to wear safety glasses, gloves, and a mask when handling ink, maintenance liquid, waste ink, or other solutions used with the machine. Leaking ink may adhere to the skin or get into the eyes or mouth.



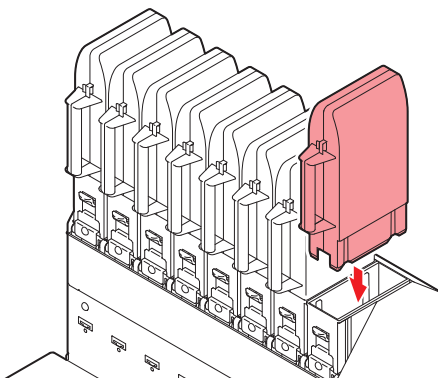
- 1 Push down the lever on the pedestal, and remove the ink Eco-case.**



- 2 Remove the ink absorber, and replace with a new one.**



- 3 Set an eco-case on the base.**



## Waste Ink Tank Replacement

The ink used in printing and head cleaning is stored in the waste ink tanks on the right and left sides of the machine.



- For a 2-liter tank, the preset level is 80 % (1.6 L).
- Continuing to use the product without disposing of the waste ink may result in waste ink overflowing from the waste ink tank. Visually check ink levels in the waste ink tank about once a week.



- Pay close attention to ventilation and be sure to wear safety glasses, gloves, and a mask when handling ink, maintenance liquid, waste ink, or other solutions used with the machine. Leaking ink may adhere to the skin or get into the eyes or mouth.




### When "Check Waste Ink Tank" message appears

- 1 The "Check Waste Ink Tank" message appears on the display.

Check Waste Ink tank Level: xx %
-------------------------------------

- 2 Check the waste ink levels in the waste ink tank.

- If you note any discrepancies from actual levels, proceed to the next step.
- If there is no discrepancy, replace (dispose of) the waste ink tank referring to  ["Replacing the Waste Ink Tank"\(P. 32\)](#).

- 3 On the LOCAL mode screen, select [MENU] > [Maintenance], then press the [ENTER] key.

- The Maintenance menu is displayed.

- 4 Select [Waste Ink Tank], then press the [ENTER] key.

- 5 Select [Adjust Waste Ink Volume], then press the [ENTER] key.

- 6 Press ▲▼ to adjust the level.

- 7 Press the [ENTER] key once adjustment is complete.

### Replacing the Waste Ink Tank

#### ● Lower-right waste ink tank replacement

- 1 On the LOCAL mode screen, select [MENU] > [Maintenance], then press the [ENTER] key.

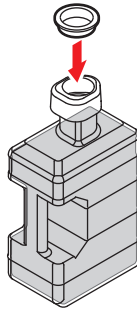
- The Maintenance menu is displayed.

- 2 Select [Waste Ink Tank], then press the [ENTER] key.

- 3 Select [Reset Waste Ink Volume], then press the [ENTER] key.



- 4 Hold the handle on the waste ink tank and slide out.
- 5 Attach the cap to the removed waste ink tank, and use tape to prevent leakage of waste ink.

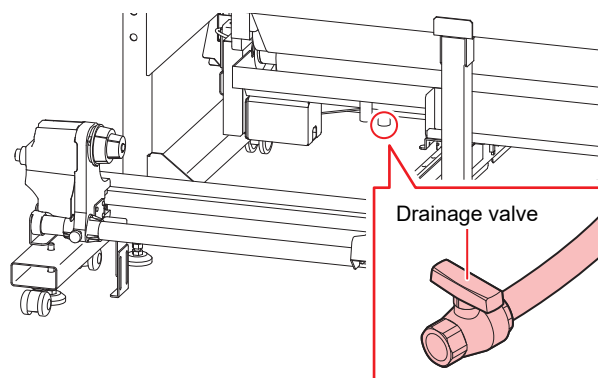



- When disposing of ink, maintenance liquid or other liquid used with the product, or containers or non-woven fabric contaminated with ink or other liquid, contact an industrial waste disposal operator or dispose of the product in accordance with the local laws and regulations.

## Washing Water Replacement

If the feeding belt is still dirty after belt washing, replace the washing water. Replace the washing water every day if the belt is not cleaned under flowing water.

- 1 In local mode, press [FUNC1 (MENU)] > ▼ > [ENTER] key.
  - The Maintenance menu is displayed.
- 2 Press ▲▼ to select [Belt Maintenance], then press the [ENTER] key.
- 3 Press ▲▼ to select "REPLACE WATER," then press the [ENTER] key.
  - A setting screen appears for washing water replacement.
- 4 Press ▲▼ to select "DRAIN," then press the [ENTER] key.
- 5 Press the [ENTER] key.
  - A message is displayed indicating that the washing unit is moving and requesting you to wait.
- 6 When a message requests you to open the drainage valve because water will be drained, place a bucket or the like under the valve and open the valve.








- 7** Press the [ENTER] key.
    - Draining begins, as indicated by a message requesting you to wait.
  - 8** After a message indicates that draining is finished, close the valve.
  - 9** Press the [ENTER] key.
    - A message now asks if you wish to supply washing water.
  - 10** Press the [ENTER] key.
    - "Start to supply water. Tighten the drain valve" appears on the display
  - 11** Close the valve and press the [ENTER] key.
  - 12** Press the [ENTER] key once "Start to supply water" appears on the display.
    - Water supply starts, and "Supplying water. Please wait" appears on the display.
- 
-  • If too much or too little water is being supplied, use the water supply valve cock to adjust the amount of water.
- 
- 13** Press the [ENTER] key once "Completed to supply water" appears on the display.
  - 14** Press the [ENTER] key.
    - "Reset the wash unit. Please wait" appears on the display.
    - After the washing unit returns to the standby position, a setting screen appears for washing water replacement.

## Washing Unit Maintenance

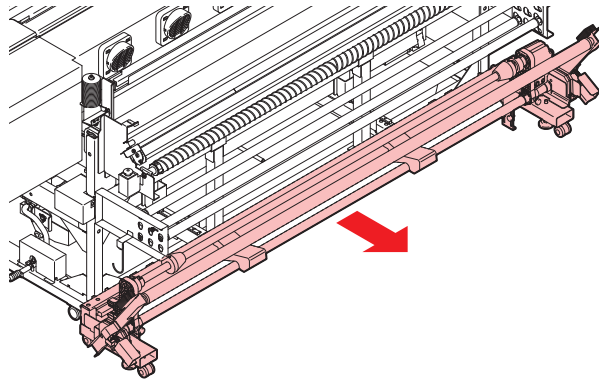
### Cleaning the Belt Washing Unit

Move the belt washing unit to the maintenance position and clean the washing brush and inside the tray.

- 1** In local mode, press [FUNC1 (MENU)] >  > [ENTER] key.
  - The Maintenance menu is displayed.
- 2** Press   to select [Belt Maintenance], then press the [ENTER] key.
- 3** Press   to select [BELT WASH UNIT], then press the [ENTER] key.
- 4** Press the [ENTER] key.
- 5** Raise the pressure roller and remove the media.
  - Remove any loaded media.
- 6** Press the [ENTER] key.
  - Instructions for moving the washing unit are displayed.
- 7** Press the [ENTER] key.
  - The washing unit is moved to the rear of the machine.

**8 Remove the feeding unit.**

- Remove any loaded media.
- Remove the feeding unit from the machine and move it out of the way.



- If a screen in local mode is displayed again because you accidentally held down the END key or opened a cover after removing the feeding unit, repeat the initial steps as follows.
  - (1) Turn off the main power supply.
  - (2) Attach the feeding unit.
  - (3) Turn on the main power supply.
  - (4) Start again from step 1.

**9 Press the [ENTER] key.**

- The water supply valve control screen is displayed.

**10 Clean the washing unit.**

- To allow water to flow into the washing tray, press the [ENTER] key. The water supply valve is opened and water is supplied to the washing tray.
- To stop the water, press the [ENTER] key again. The water supply valve is closed.



- Before releasing water from the water supply valve, make sure the drain hose is not clogged. Running water with the drain hose clogged may cause water to overflow the washing tray.

**11 When cleaning is finished, press the [END/POWER] key.**

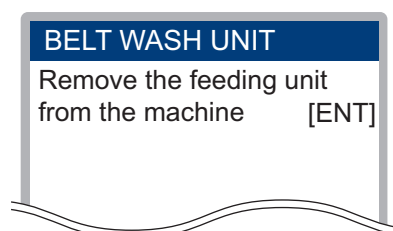
- A screen is displayed to confirm that this process is complete.

**12 Attach the feeding unit.**

- Reattach the feeding unit that was removed.



- Be sure to install the feeding unit while this screen is displayed.

**13 Raise the tension bar manually and press the [ENTER] key.**



- If the feeding unit is attached incorrectly or the tension bar was not raised, the screen for attaching the feeding unit is displayed again.

**14** Press the ON/OFF button on the feeding unit.

**15** Press the [ENTER] key.

- If the feeding unit does not rotate, the screen for attaching the feeding unit is displayed again.

**16** Press the [ENTER] key.

- The washing unit is returned to the original position.

**17** Press the [ENTER] key.

- A screen appears indicating that maintenance is finished.

**18** Press the [ENTER] key.

### Absorption Roller Cleaning

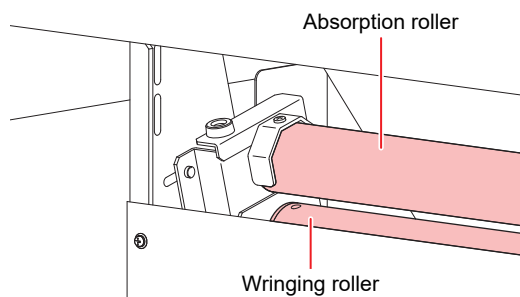
Dirt accumulates on the absorption roller when belt washing is used. To maintain good printing quality, clean the absorption roller.



- Setting a general time to be notified of absorption roller cleaning will enable you to work without worrying about the timing of this cleaning.



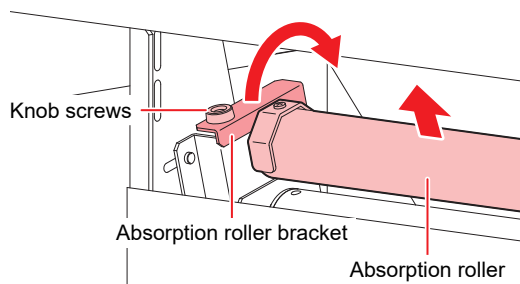
- To prevent used cleaning water from getting the floor dirty, spread out waste cloth or the like on the floor in advance.
- Before cleaning, put on rubber gloves.



**1** Follow steps 1 to 7 in  "[Cleaning the Belt Washing Unit](#)"(P. 34).

**2** Remove the knob screws and rotate the left and right absorption roller brackets.

- The absorption roller is in the middle at the rear of the unit.



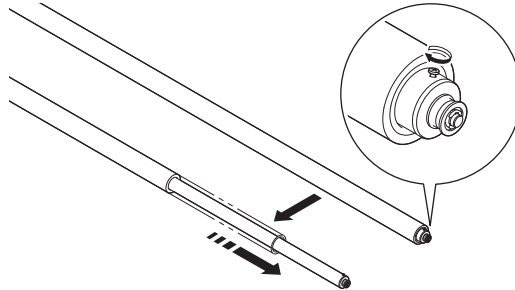
### 3 Remove the absorption roller from the machine.



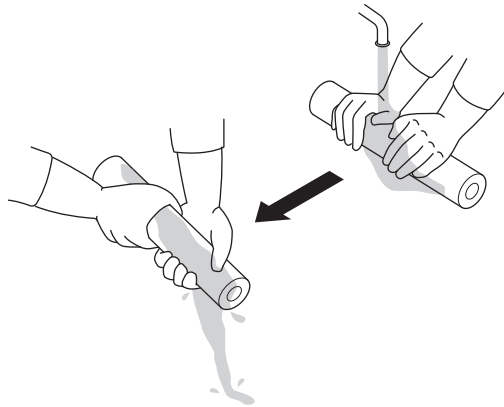
- At least two people should remove the absorption roller.

### 4 Rinse and then remove water from the absorption roller.

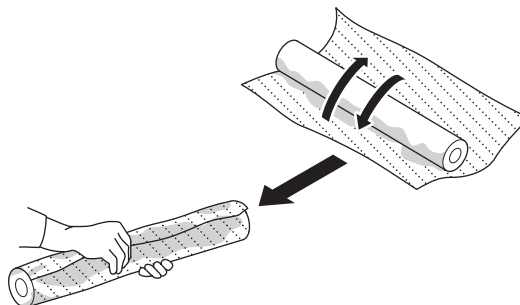
- (1) Remove the screws at each end with a screwdriver, then remove one sleeve at a time for cleaning.



- (2) Clean the roller by rinsing it under tap water or the like.
  - Do not wring out the sponge.



- (3) After cleaning by rinsing, wrap the sleeve in a waste cloth such as a Bemcot cloth to absorb the water.
  - Do not wring out the sponge.



- (4) Dry well before reassembly.

### 5 Reinstall the absorption roller.

- If a warning message appears, reset the counter. 🖱️ ["Resetting the Counter"\(P. 51\)](#)



- Center the absorption roller to avoid gaps, then secure it.

#### 6 When cleaning is finished, press the [END/POWER] key.

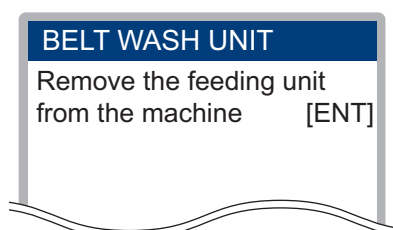
- A screen is displayed to confirm that this process is complete.

#### 7 Attach the feeding unit.

- Reattach the feeding unit that was removed.



- Be sure to install the feeding unit while this screen is displayed.



#### 8 Raise the tension bar manually and press the [ENTER] key.



- If the feeding unit is attached incorrectly or the tension bar was not raised, the screen for attaching the feeding unit is displayed again.

#### 9 Press the ON/OFF button on the feeding unit.

#### 10 Press the [ENTER] key.

- If the feeding unit does not rotate, the screen for attaching the feeding unit is displayed again.

#### 11 Press the [ENTER] key.

- The washing unit is returned to the original position.

#### 12 Press the [ENTER] key.

- A screen appears indicating that maintenance is finished.

#### 13 Press the [ENTER] key.

## Reapplying Adhesive

Adhesive must be reapplied when cloth media does not adhere well.

Although the machine has adhesive applied initially, it must be reapplied if the belt becomes less adhesive due to ink, lint, dust, or the like.



- When to reapply adhesive It is time to reapply adhesive when printed cloth media lifts up after emerging from the front cover. Promptly reapply belt adhesive when a warning message advises to reapply it.



- Genuine Mimaki adhesive is solvent-based. When applying adhesive, always wear a protective mask designed for working with organic solvents, as well as safety glasses and gloves.
- A ventilation system must be available when reapplying adhesive in a poorly ventilated area or sealed room. When using adhesive, comply with the Ordinance on Prevention of Organic Solvent Poisoning.
- Additionally, ensure that adhesive is reapplied under the supervision of someone who has completed a technical training course for those in charge where organic solvents are used, or someone appointed to supervise organic solvent work.



- The adhesive is not the cause if cloth media sags even before use and lifts up or sags after being applied to the feeding belt (with the pressure roller). Also note that this kind of media cannot be used.

## Peeling Off Adhesive

The following items are required in order to peel off adhesive.

### ● Items required

- Doctor, gloves

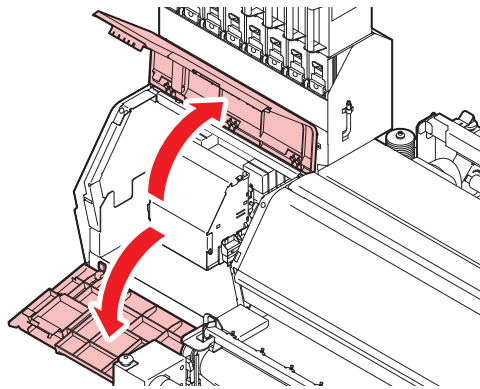
### ● Items to prepare

- Waste cloth
- Kerosene or light oil (approx. 500 cc)
- Ethanol (approx. 200 cc)
- Metal plate or oil-resistant plastic plate, shaped like a tray

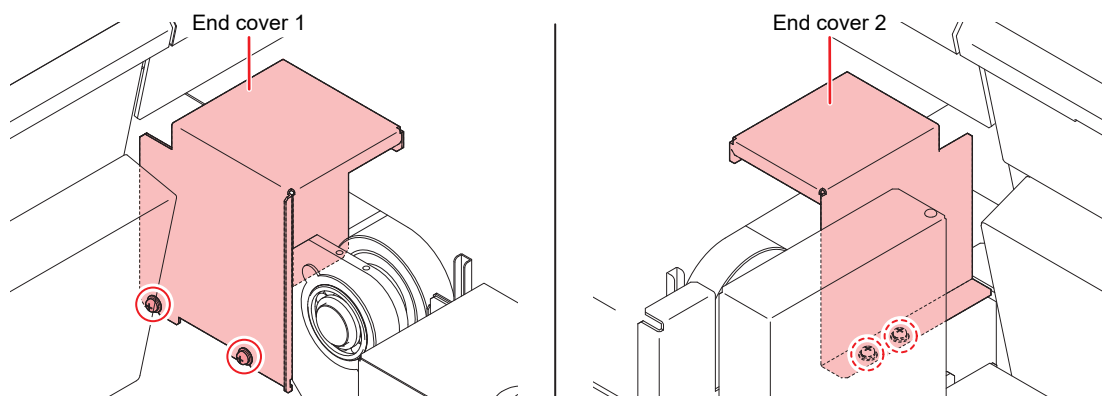


- For convenience, consider transferring the kerosene (or light oil) and ethanol into containers with a small mouth.

## 1 Open the maintenance cover on the left side.



## 2 Remove end covers 1 and 2.



## 3 In local mode, press [FUNC1 (MENU)] > [▼] > [ENTER] key.

- The Maintenance menu is displayed.

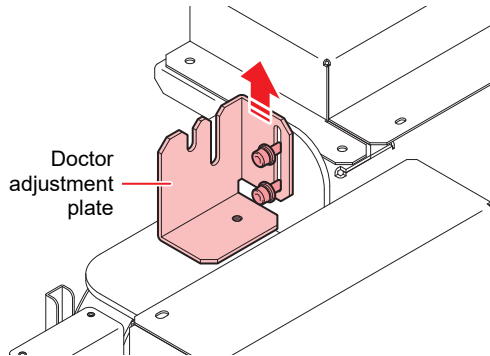
## 4 Press [▲] [▼] to select [Belt Maintenance], then press the [ENTER] key.

- 5** Press ▲▼ to select "BELT ADHESIVE," then press the [ENTER] key.
- 6** Press ▲▼ to select "Peeling off adhesive," then press the [ENTER] key.
- 7** After a message requests you to remove the media, make sure no cloth media is on the feeding belt, then press the [ENTER] key.
- 8** When instructions indicate to raise the pressure roller, raise the pressure roller on the back of the machine, then press the [ENTER] key.

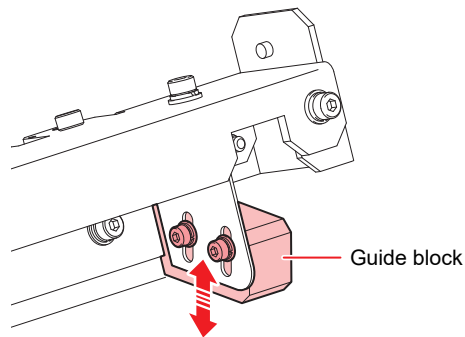


## 9 After a message requests you to set the doctor, attach the doctor on the front of the machine.

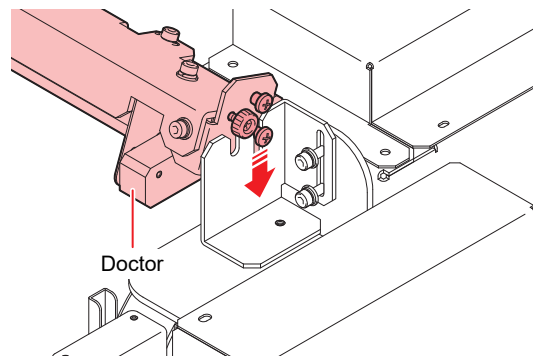
- Attach the doctor leaving a gap between it and the belt.
- (1) Loosen the doctor adjustment plates (at each end), move the point of attachment to the top, then tighten loosely.



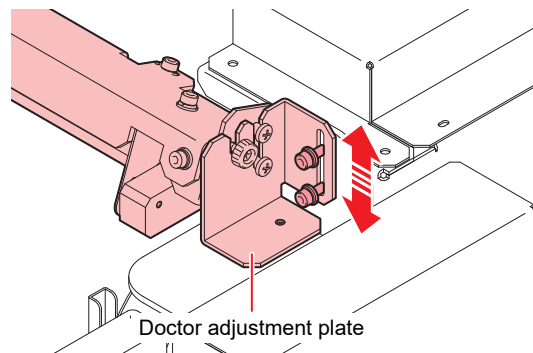
- (2) Loosen the doctor guide blocks (at each end) enough to allow the doctor to move up and down under its own weight.



- (3) Attach the doctor and secure it with screws.



- (4) Adjust the doctor adjustment plate height to around the level where the doctor blade touches the feeding belt, then secure it in place.



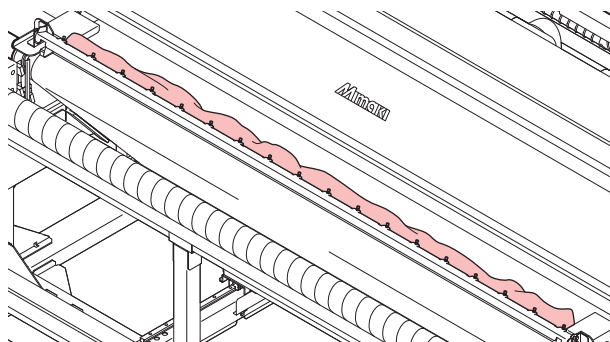
#### 10 Press ▲▼ to set the feed speed, then press the [ENTER] key.

- Setting value: 5 to 60 [mm/s]



- 20 mm/s is recommended.

#### 11 Place a cloth soaked in kerosene along the inside of the doctor on the feeding belt.



#### 12 Press the [ENTER] key.

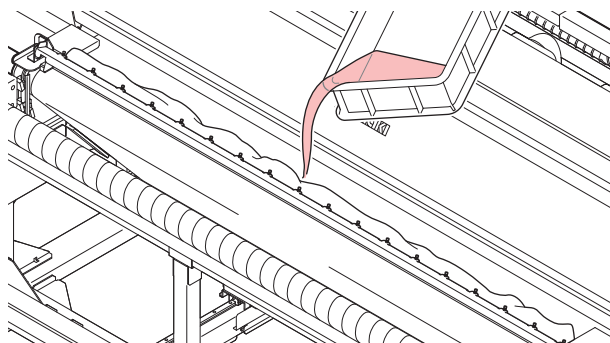
- The feeding belt now moves.




- To pause the feeding belt, press (1) the [FUNC2 (PAUSE)] key.
- (2) Press ▲▼ to select [Belt Maintenance], then press the [ENTER] key.
- To change the feed speed, adjust by pressing [FUNC1 (SPEED UP)] / [FUNC3 (SPEED DOWN)].

#### 13 Dribble some kerosene or light oil on the back of the cloth.

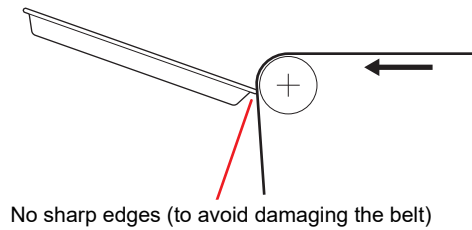
- Allow the kerosene/light oil to soak into the adhesive on the surface of the belt well.



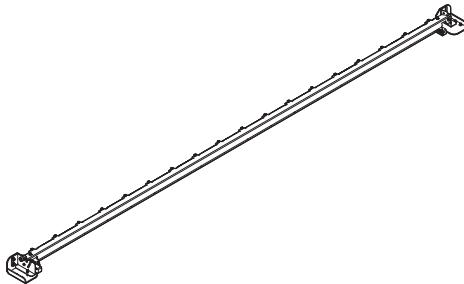
- When removing adhesive, dribbling too much kerosene/light oil may cause it to leak from the end of the doctor and drip onto the feeding belt and into the washing water holder.
- Accidentally mixing kerosene/light oil with washing water may weaken the adhesive if you are printing while washing the belt.
- Adhesive that suddenly weakens after reapplication may indicate that kerosene/light oil has been mixed into the washing water.
- After peeling off and reapplying adhesive, always check the washing tray to make sure no kerosene/light oil is mixed with the washing water.

If you discover that they are mixed together, clean the washing tray and cleaning brush by selecting "REPLACE WATER→CLEANING WASH TRAY" in the maintenance menu.  ["Cleaning the Washing Tray and Brush"\(P. 48\)](#) Then replace the water in the washing water tank with fresh water.

- 14** To remove any adhesive that has turned into a gel due to the kerosene/light oil, press the edge of the plate against the feeding belt at an outer position.



- 15** Wipe off as much kerosene/light oil as possible from the belt surface with a waste cloth.
- 16** Clean the surface of the belt by wiping off any remaining oil with a waste cloth soaked in ethanol.
- 17** Press [END/POWER] key > [ENTER] key to stop the feeding belt.
- 18** After a message about resetting the adhesive counter is displayed, press the [ENTER] key.
- The adhesive counter is reset.
- 19** Remove the doctor and wipe off any remaining adhesive or debris with kerosene/light oil and a waste cloth.



## Applying Adhesive

The following items are required in order to apply adhesive.

### ● Items required

- Doctor, gloves
- Vinyl tape (2 cm wide)
- Adhesive (Polixresin SX 1L, sold separately)



- Genuine Mimaki adhesive is solvent-based. When applying adhesive, always wear a protective mask designed for working with organic solvents, as well as safety glasses and gloves.
- A ventilation system must be available when reapplying adhesive in a poorly ventilated area or sealed room.
- When using adhesive, comply with the Ordinance on Prevention of Organic Solvent Poisoning. Additionally, ensure that adhesive is reapplied under the supervision of someone who has completed a technical training course for those in charge where organic solvents are used, or someone appointed to supervise organic solvent work.
- Open flames are strictly prohibited when reapplying adhesives. Always turn off all nearby equipment, such as heaters. Also, be sure to ensure sufficient ventilation.



- When using a commercial adhesive, be sure to check the compatibility of the solvents it contains with the material that the belt is made of. In this case, contact your distributor or a sales office.
- Be careful to avoid getting adhesive on the contact area of the belt correction unit (on the right in the front of the machine) and near the 6 mm dia. hole. Adhesive in these areas may prevent normal machine operation.



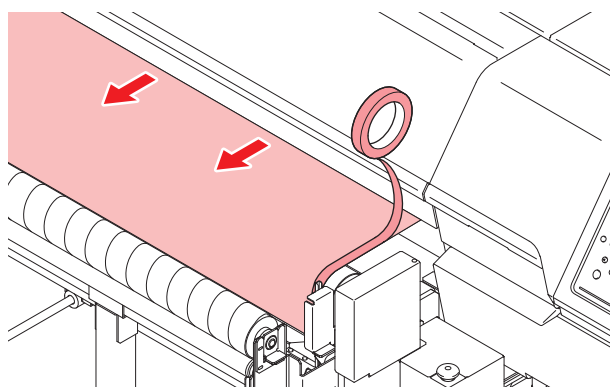
- To the extent possible, avoid applying excessive adhesive, as this may cause feeding problems.
- Adhesive should generally be reapplied once every two weeks. (Timing varies depending on usage and type of media.)

- 1** In local mode, press [FUNC1 (MENU)] > [▼] > [ENTER] key.
  - The Maintenance menu is displayed.
- 2** Press [▲][▼] to select [Belt Maintenance], then press the [ENTER] key.
- 3** Press [▲][▼] to select "BELT ADHESIVE," then press the [ENTER] key.
  - The belt adhesive setting screen appears.
- 4** Press [▲][▼] to select "Applying Adhesive," then press the [ENTER] key.
- 5** After a message requests you to remove the media, make sure no cloth media is on the feeding belt, then press the [ENTER] key.
- 6** When instructions indicate to raise the pressure roller, raise the pressure roller on the back of the machine, then press the [ENTER] key.
- 7** Cover the edges of the feeding belt with vinyl tape.



- Tape must be applied around the entire left and right edges of the feeding belt.
- If necessary, have two people do this, or repeat the process for the other edge after one edge is finished.

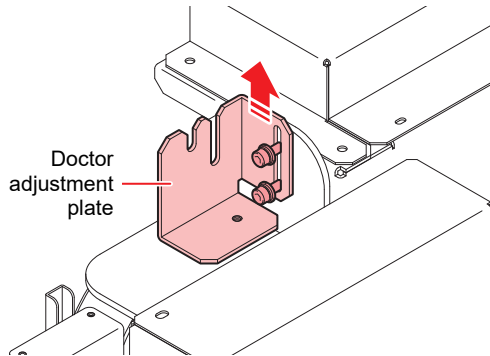
- 8** Press the [ENTER] key twice.
  - The feeding belt is activated and stops after one revolution. To pause the feeding belt, press the [FUNC2 (PAUSE)] key.
  - To change the feed speed, adjust by pressing [FUNC1 (SPEED UP)] / [FUNC3 (SPEED DOWN)].



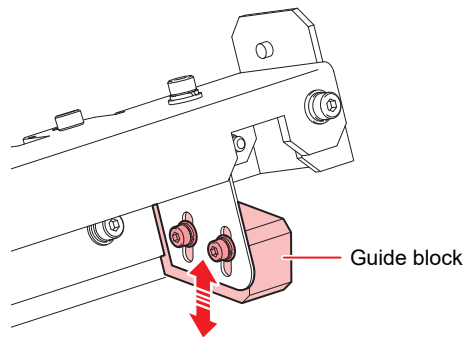
- 9** Press the [ENTER] key.
  - If tape was applied incorrectly, select [END/POWER]. After this, repeat step 8.

## 10 After a message requests you to set the doctor, attach the doctor on the front of the machine.

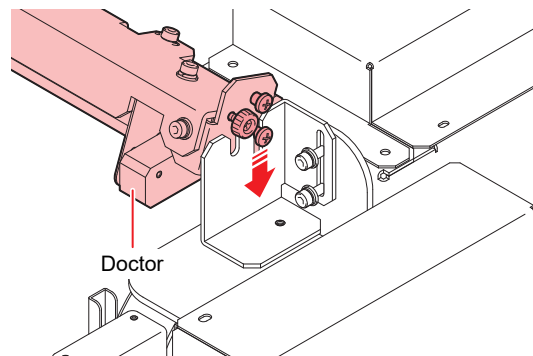
- Attach the doctor without any gap between it and the belt.
- (1) Loosen the doctor adjustment plates (at each end), move the point of attachment to the top, then tighten loosely.



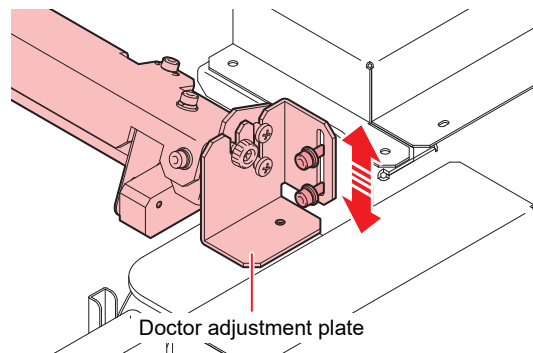
- (2) Loosen the doctor guide blocks (at each end) enough to allow the doctor to move up and down under its own weight.



- (3) Attach the doctor and secure it with screws.



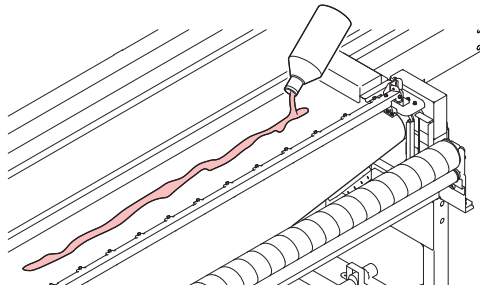
- (4) Adjust the doctor adjustment plate height to around the level where the doctor blade touches the feeding belt, then secure it in place.



**11** Press ▲▼ to set the feed speed, then press the [ENTER] key.

- Recommended value: 15 m/s

**12** Dribble 150 to 200 cc of adhesive evenly near the edge of the doctor.

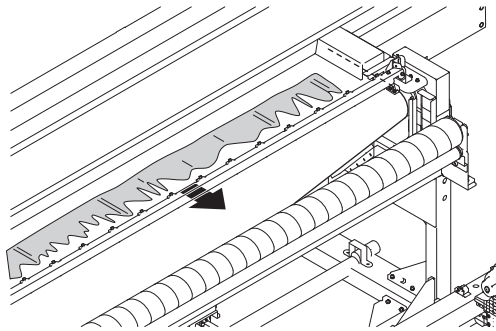


**13** Press the [ENTER] key.

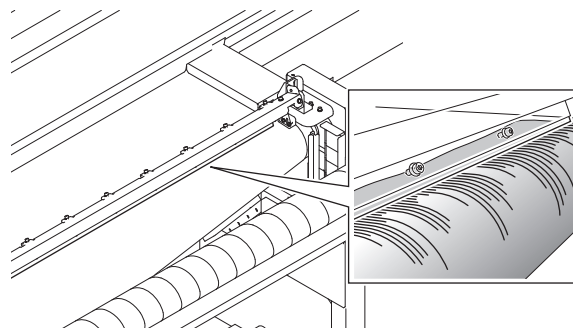
- The feeding belt now moves.



- When using adhesive that is highly viscous, increase the belt speed.
- To change the feed speed, adjust by pressing [FUNC1 (SPEED UP)] / [FUNC3 (SPEED DOWN)].
- To pause the feeding belt, press the [FUNC2 (PAUSE)] key. To resume moving the feeding belt, press the [FUNC2 (START)] key.

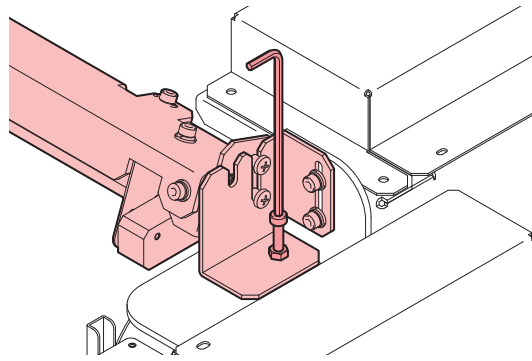


- Add more adhesive to areas on the doctor where little adhesive remains.
- Apply adhesive across the entire belt surface.
- Use up all of the adhesive.

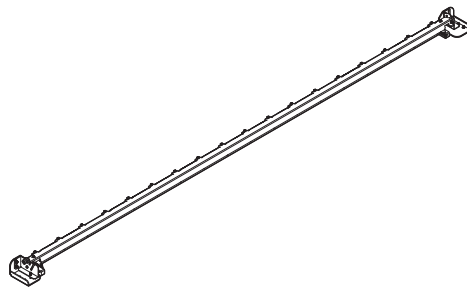




- After the level of adhesive no longer decreases, gradually increase the height of the doctor and apply a thicker coat.
- Do not lower the doctor after raising it, which will result in uneven adhesive.



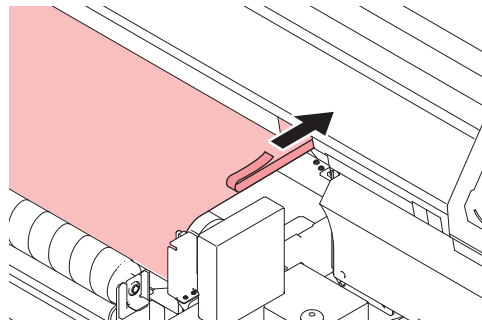
## 14 Remove the doctor and wipe off any remaining adhesive or debris with kerosene/light oil and a waste cloth.



## 15 Remove the tape around the feeding belt.



- When removing tape, peel it off toward the rear of the machine. This will allow the adhesive to separate from the tape more easily.



## 16 To set a drying time, press the [ENTER] key.



- If you set a drying time, the feeding belt will automatically stop after the time elapses.
- The adhesive counter is reset.

## 17 Press ▲▼ to set the drying time (in hours), then press the [ENTER] key.

## 18 Press ▲▼ to set the drying time (in minutes), then press the [ENTER] key.

- The drying time countdown is activated.
- To stop it, press the [END/POWER] key.

## 19 After the adhesive on the feeding belt is dry, press [END/POWER] key > [ENTER] key to stop the feeding belt.

**20** After a message about resetting the adhesive counter is displayed, press the [ENTER] key.

- The adhesive counter is reset.



- If, after drying, the adhesive is too strong, wipe the belt surface with a wet cloth to prepare it for use. Using the belt this way may cause cloth media to stick to it and not come off.

## Cleaning the Washing Tray and Brush








If kerosene/light oil gets into the washing water when you reapply adhesive, clean the washing tray and cleaning brush with a neutral detergent. Then replace the water in the washing water tank with fresh water.

### ● Items required

- Neutral detergent



- When cleaning, be sure to wear safety glasses and gloves.

- 1** In local mode, press [FUNC1 (MENU)] >  > [ENTER] key.
  - The Maintenance menu is displayed.
- 2** Press   to select [Belt Maintenance], then press the [ENTER] key.
- 3** Press   to select "REPLACE WATER," then press the [ENTER] key.
  - A setting screen appears for washing water replacement.
- 4** Press   to select "CLEANING WASH TRAY," then press the [ENTER] key.
- 5** Press the [ENTER] key.
  - The washing unit is moved to the rear of the machine.
- 6** When a message indicates that tray cleaning will start and the brush will be rotated, add neutral detergent to the washing tray and press the [ENTER] key.
  - The brush rotates, stirring the detergent.



- The cleaning brush rotates automatically. Be careful to avoid getting your hands or clothing caught in it.

**7** Clean the washing tray and brush.

- To stop the brush, press the [FUNC2 (PAUSE)] key.
- To resume moving the brush, press the [FUNC2 (START)] key.



- To allow water to flow into the washing tray, press the [ENTER] key. The water supply valve is opened and water is supplied to the washing tray.
- To stop the water, press the [ENTER] key again. The water supply valve is closed.

**8** When cleaning is finished, press the [END/POWER] key.

- A screen is displayed to confirm that this process is complete.

**9** Press the [ENTER] key.

- A message now asks if you wish to supply washing water.

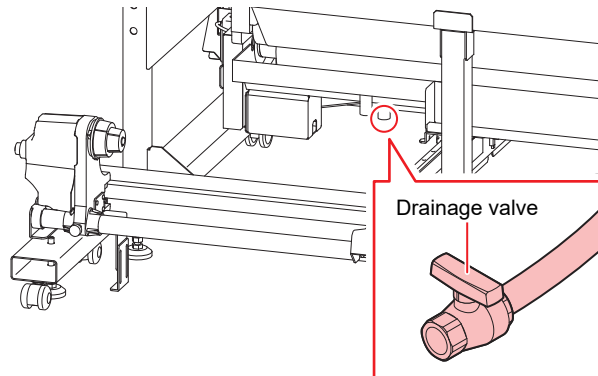


**10** Press the [ENTER] key and select "DRAIN WATER."

- Display changes to the menu for draining the washing water.



- If you have not used neutral detergent and do not need to drain the washing water, press the [END] key to finish tray cleaning.

**11** When a message requests you to open the drainage valve because water will be drained, place a bucket or the like under the valve and open the valve.**12** Press the [ENTER] key.

- Draining begins, as indicated by a message requesting you to wait.

**13** After a message indicates that draining is finished, close the valve.**14** Press the [ENTER] key.

- A message now asks if you wish to supply washing water.

**15** Press the [ENTER] key.

- "Start to supply water. Tighten the drain valve" appears on the display

**16** Close the valve and press the [ENTER] key.**17** Press the [ENTER] key once "Start to supply water" appears on the display.

- Water supply starts, and "Supplying water. Please wait" appears on the display.



- If too much or too little water is being supplied, use the water supply valve cock to adjust the amount of water.

**18** Press the [ENTER] key once "Completed to supply water" appears on the display.**19** Press the [ENTER] key.

- "Reset the wash unit. Please wait" appears on the display.
- After the washing unit returns to the standby position, a setting screen appears for washing water replacement.

## Cleaning the Feeding Belt

Clean the feeding belt as follows.



- Before cleaning, be sure to remove any cloth media on the feeding belt.

- 1** In local mode, press [FUNC1 (MENU)] > [▼] > [ENTER] key.
  - The Maintenance menu is displayed.
- 2** Press [▲][▼] to select [Belt Maintenance], then press the [ENTER] key.
- 3** Press [▲][▼] to select [BELT CLEANING], then press the [ENTER] key.
  - The belt cleaning setting screen appears.
- 4** After a message requests you to remove the media, make sure no cloth media is on the feeding belt, then press the [ENTER] key.
- 5** When instructions indicate to raise the pressure roller, raise the pressure roller on the back of the machine, then press the [ENTER] key.
- 6** Press [▲][▼] to set the number of cleaning cycles, then press the [ENTER] key.
  - Setting value: 1 to 99 times
  - Belt cleaning begins, and the number of cycles displayed is updated each time the belt goes around.



- To stop cleaning, press the [END/POWER] key, then press the [ENTER] key.

- 7** After a message indicates that the process is complete, press the [ENTER] key.
  - The Maintenance menu is displayed.

## Cleaning the Peeling Sensors

To prevent peeling sensor malfunction caused by soiling, clean the peeling sensors regularly (about once a week).

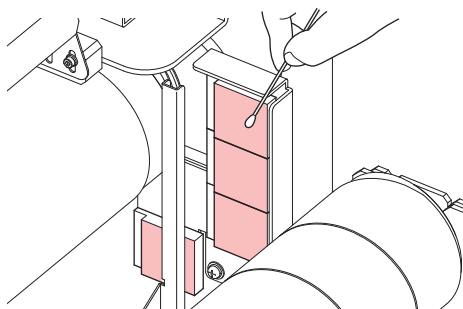


- The peeling sensors may be soiled by ink mist from printing or steam from drying cloth media.

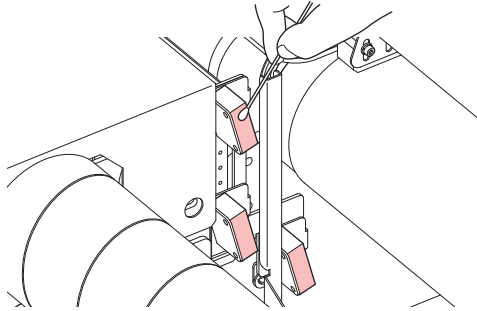
Also perform cleaning if any of the following occur.

- Cloth media is not peeled off, and an alarm beeps.
- An alarm beeps even when cloth media is not taken up on the belt.

- 1** Use a cotton swab soaked in maintenance liquid to wipe the reflectors.



- 2 Dry the reflectors wiped in step 1 with a dry cotton swab.
- 3 Wipe the three light-emitting surfaces of the peeling sensors with a cotton swab soaked in maintenance liquid.



- 4 Dry the lenses wiped in step 3 with a dry cotton swab.

## Resetting the Counter

Initialize counters for adhesive and the absorption roller as follows.

- 1 In local mode, press [FUNC1 (MENU)] > ▼ > [ENTER] key.
  - The Maintenance menu is displayed.
- 2 Press ▲▼ to select [Belt Maintenance], then press the [ENTER] key.
- 3 Press ▲▼ to select "COUNTER RESET," then press the [ENTER] key.
  - The counter reset setting screen appears.
- 4 Press ▲▼ to select "Adhesive" or "Absorb Roller," then press the [ENTER] key.
  - The counter is reset, and the maintenance menu is displayed.







## **Care and maintenance**

---

---

March, 2025

**MIMAKI ENGINEERING CO.,LTD.**

2182-3 Shigeno-otsu, Tomi-shi, Nagano 389-0512 JAPAN

---

---

D203886-10-17032025

